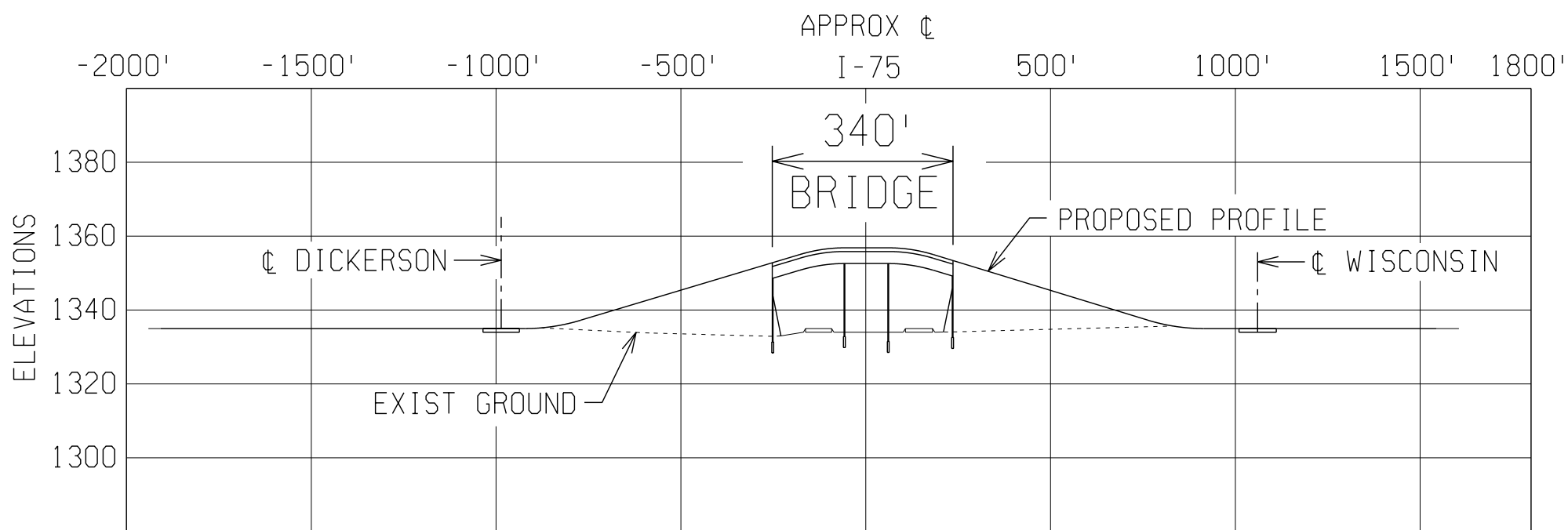
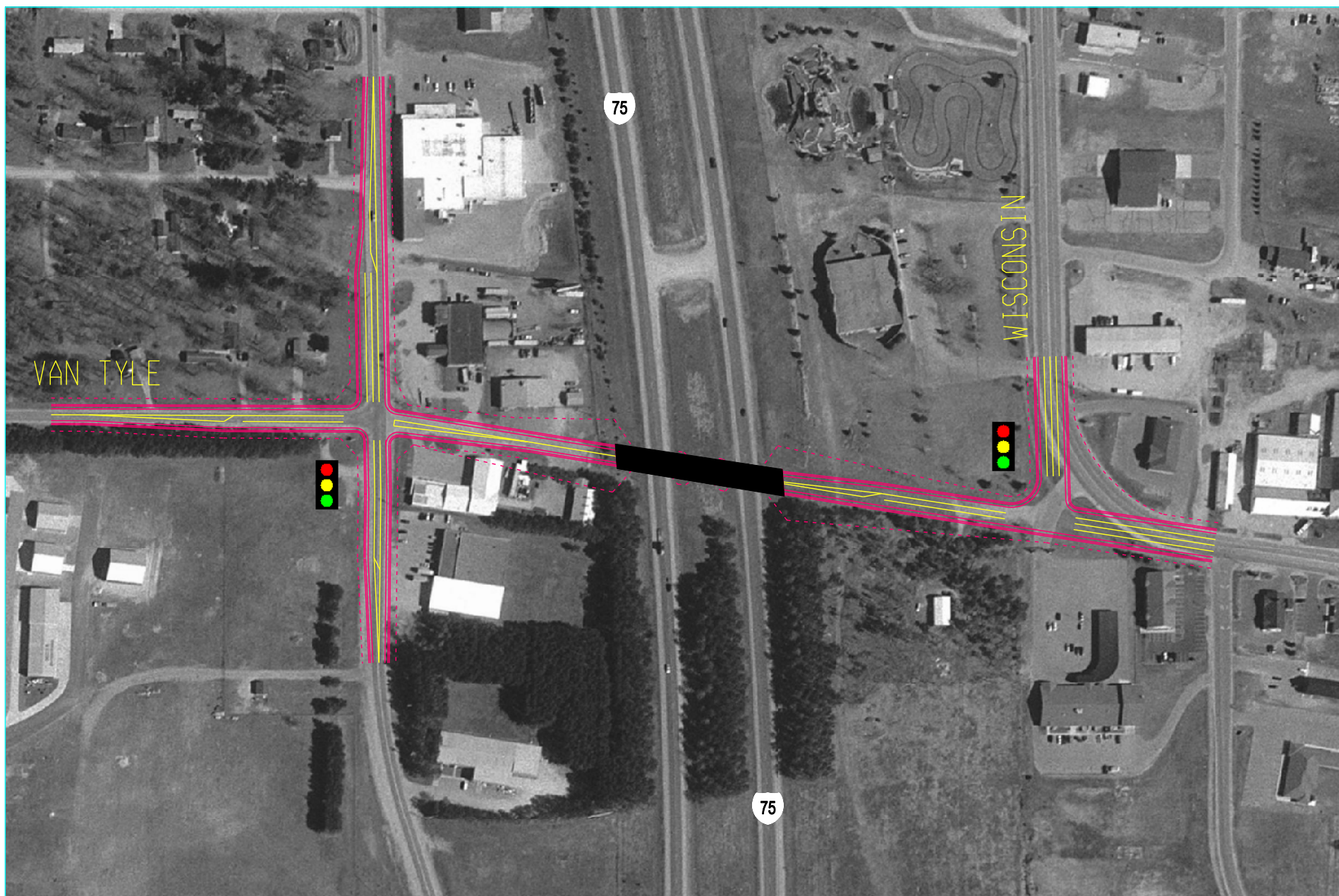


PRELIMINARY CONCEPT ONLY



PROPOSED PROFILE



- LEGEND**
- EDGE OF ROAD
 - PAVEMENT MARKINGS
 - - - FOOTPRINT
 - BRIDGE
 - NEW TRAFFIC SIGNAL

FIGURE 5

VAN TYLE ROAD OVER I-75